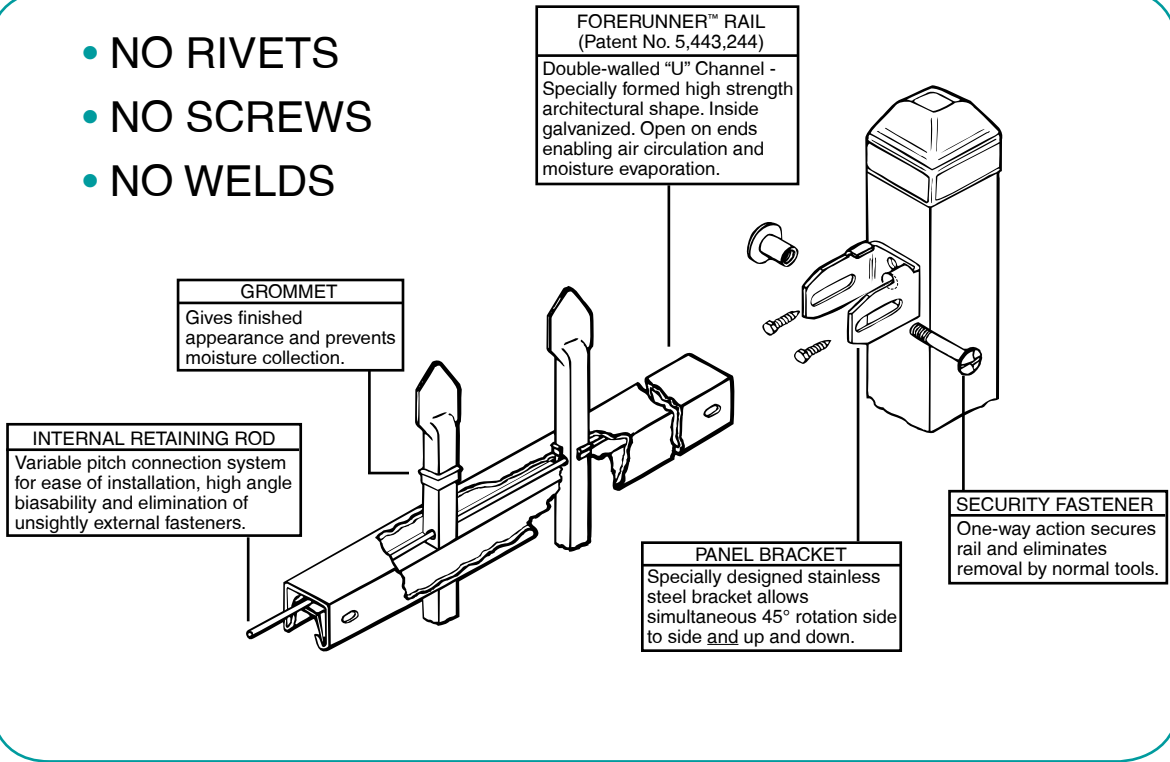
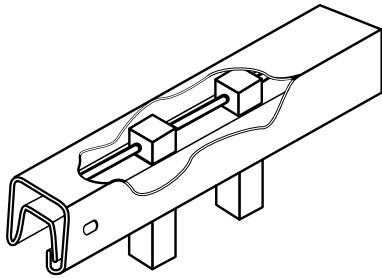


- NO RIVETS
- NO SCREWS
- NO WELDS



### Picket To Rail

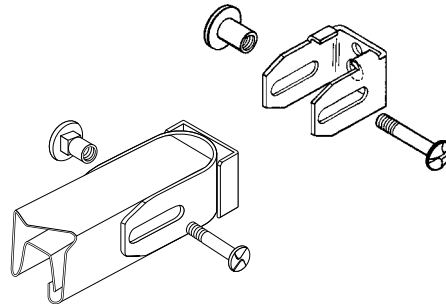
ForeRunner™ Rail  
with Enclosed Retaining Rod



Rod is completely enclosed.  
Attachment cannot be compromised.

### Rail To Bracket

Security Fastener



One-way fastener cannot be loosened by  
normally available tools.