

# MATRIX<sup>®</sup>

## PERIMETER ENCLOSURE GRID



**CONFORMS TO IEEE  
GROUNDING STANDARDS**



**MEETS ASCE 7-10  
EXPOSURE C WIND LOAD**



**MEETS ASTM F2781  
FORCED ENTRY STANDARD**



**LAYERED SECURITY  
THROUGH ADDITION OF  
STALWART BARRIER**

(various ASTM F2656 tested & engineered fence barriers available)

## PRIMARY APPLICATIONS

- ▶ POWER UTILITY
- ▶ COUNTER TERRORISM
- ▶ THREAT STANDOFF
- ▶ CHEMICALS OF INTEREST
- ▶ DATA STORAGE
- ▶ BLAST MITIGATION CAGING
- ▶ INDUSTRIAL STORAGE
- ▶ SALLY PORTS



**AMERISTARFENCE.COM | 888-333-3422**

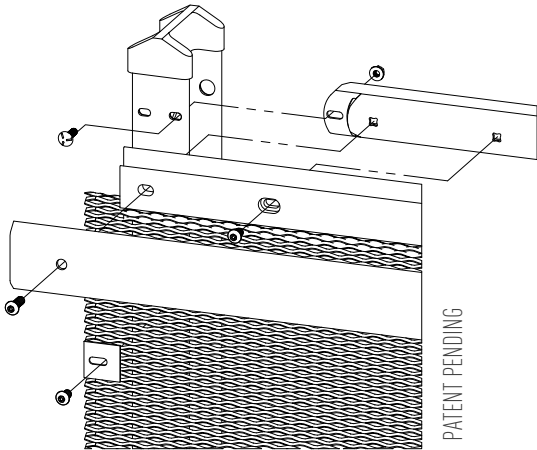
ASSA ABLOY, the global leader in door opening solutions

**AMERISTAR<sup>®</sup>**

**ASSA ABLOY**

# MATRIX®

## SECURE PERIMETER ENCLOSURE CONTAINMENT



Matrix security fence is a perimeter enclosure grid with expandable design, which allows the user to determine the level of visibility, delay and deterrence required for the site.

- Durable powder-coat finish
- 10 year warranty
- Engineered Solution

## DESIGN INTEGRATION

The Matrix framework is a raceway for wiring, conduits & security cabling required around the perimeter of a project. This integrated design eliminates the need for costly trenching & boring becoming a value added solution for perimeter security upgrades.

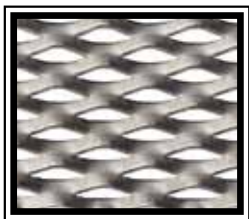
- Communication & Video Cables
- Intrusion Detection / Fiber Optic Cables
- Access Control Wiring
- Pre-punched Unistrut mounting provisions for conduits



(inside of rail shown above / view from protected side)

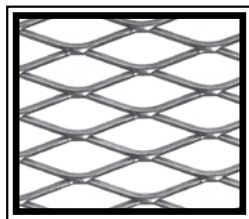
## FILLER OPTIONS

Matrix is designed to be fitted with a filler that best matches the level of security required. Each of the Matrix fillers have unique characteristics that provide specific levels of delay and visual screening.



**X-Span® Modified**

.5" x #13R (.188 strand) std. option



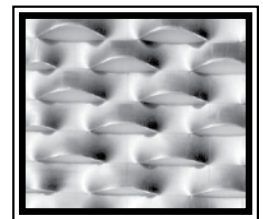
**X-SPAN®**

.75" x #9F std. option



**WireWorks®**

.5" x 3" x 8ga & 6ga std. option



**X-Screen®**

1.5" x #14 std. option